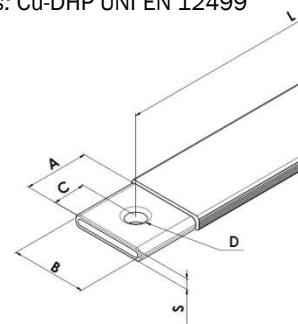


# CONNESSIONI DI POTENZA ISOLATE - POWERFLEX

## INSULATED POWER CONDUCTORS- POWERFLEX



- Terminali in tubo rame stagnato / *Tin-plated copper tube terminals: Cu-DHP UNI EN 12499*
- Filo elementare / *Single wire: Cu-ETP UNI EN 13602 - Ø 0,20 mm*
- Isolamento in PVC nero / *Black PVC insulation*
- Autoestinguenza / *Self extinguishing: UL 94 V0*
- Tensione di esercizio / *Operating voltage: 1000 V AC - 1500 V DC*
- Temperatura di esercizio / *Operating temperature: -40/+105 °C*
- Rigidità dielettrica / *Dielectric strenght: 20 kV/mm*
- Spessore isolamento / *Insulation thickness: 1,6 - 2mm*
- Portate riferite a rialzo termico  $\Delta T$  secondo IEC 439 -  $T_a$  ( Temp. Amb. ) 35 °C  
*Current loads referred to rise temperature  $\Delta T$  following IEC 439 norm -  $T_a$  ( Amb. Temp. ) 35 °C*



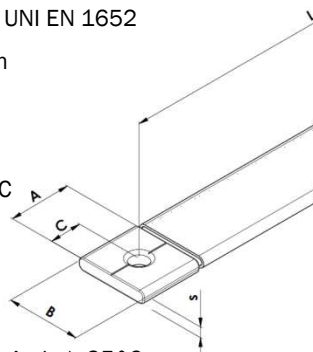
Rame Rosso <i>Bare Copper</i>	Rame Stagnato <i>Tin-Plated Copper</i>	Sezione Cross-Sect. [mm <sup>2</sup> ]	L [mm]	A [mm]	B [mm]	C [mm]	S [mm]	D [mm]	Portata Current load		
									$\Delta T$ 30 °C	$\Delta T$ 40 °C	$\Delta T$ 50 °C
PRS 16/020 - 230/12	PSS 16/020 - 230/12	16	230	14	12	7	3	6,5	93 A	110 A	127 A
PRS 16/020 - 330/12	PSS 16/020 - 330/12		330								
PRS 16/020 - 430/12	PSS 16/020 - 430/12		430								
PRS 16/020 - 530/12	PSS 16/020 - 530/12		530								
PRS 16/020 - 630/12	PSS 16/020 - 630/12		630								
PRS 16/020 - 730/12	PSS 16/020 - 730/12		730								
PRS 25/020- 230/12	PSS 25/020-230/12	25	230	14	12	7	5	6,5	119 A	144 A	161 A
PRS 25/020-330/12	PSS 25/020-330/12		330								
PRS 25/020-430/12	PSS 25/020-430/12		430								
PRS 25/020-530/12	PSS 25/020-530/12		530								
PRS 25/020-630/12	PSS 25/020-630/12		630								
PRS 25/020-730/12	PSS 25/020-730/12		730								
PRS 25/020-230/20	PSS 25/020-230/20	25	230	22	20	10	3,7	9 - 11	127 A	153 A	178 A
PRS 25/020-330/20	PSS 25/020-330/20		330								
PRS 25/020-430/20	PSS 25/020-430/20		430								
PRS 25/020-530/20	PSS 25/020-530/20		530								
PRS 25/020-630/20	PSS 25/020-630/20		630								
PRS 25/020-730/20	PSS 25/020-730/20		730								
PRS 35/020-230/20	PSS 35/020-230/20	35	230	22	20	10	4,5	9 - 11	153 A	187 A	212 A
PRS 35/020-330/20	PSS 35/020-330/20		330								
PRS 35/020-430/20	PSS 35/020-430/20		430								
PRS 35/020-530/20	PSS 35/020-530/20		530								
PRS 35/020-630/20	PSS 35/020-630/20		630								
PRS 35/020-730/20	PSS 35/020-730/20		730								
PRS 50/020-230/20	PSS 50/020-250/20	50	230	22	20	10	5,5	11	187 A	229 A	263 A
PRS 50/020-330/20	PSS 50/020-330/20		330								
PRS 50/020-430/20	PSS 50/020-430/20		430								
PRS 50/020-530/20	PSS 50/020-550/20		530								
PRS 50/020-630/20	PSS 50/020-630/20		630								
PRS 50/020-730/20	PSS 50/020-730/20		730								
PRS 50/020-830/20	PSS 50/020-830/20	830									
PRS 75/020-230/20	PSS 75/020-230/20	75	230	22	20	10	7	11	238 A	280 A	323 A
PRS 75/020-330/20	PSS 75/020-330/20		330								
PRS 75/020-430/20	PSS 75/020-430/20		430								
PRS 75/020-530/20	PSS 75/020-530/20		530								
PRS 75/020-630/20	PSS 75/020-630/20		630								
PRS 75/020-730/20	PSS 75/020-730/20		730								
PRS 75/020-830/20	PSS 75/020-830/20	830									
PRS 120/020-230/32	PSS 120/020-230/32	120	230	32	32	15	7	11	340 A	408 A	467 A
PRS 120/020-330/32	PSS 120/020-330/32		330								
PRS 120/020-430/32	PSS 120/020-430/32		430								
PRS 120/020-530/32	PSS 120/020-530/32		530								
PRS 120/020-630/32	PSS 120/020-630/32		630								
PRS 120/020-730/33	PSS 120/020-730/33		730								
PRS 120/020-830/32	PSS 120/020-830/32	830									
PRS 120/020-930/32	PSS 120/020-930/32	930									
PRS 240/020-230/32	PSS 240/020-230/32	240	230	32	32	15	12	13	500 A	595 A	688 A
PRS 240/020-330/32	PSS 240/020-330/32		330								
PRS 240/020-430/32	PSS 240/020-430/32		430								
PRS 240/020-530/32	PSS 240/020-530/32		530								
PRS 240/020-630/32	PSS 240/020-630/32		630								
PRS 240/020-730/32	PSS 240/020-730/32		730								
PRS 240/020-830/32	PSS 240/020-830/32	830									
PRS 240/020-930/32	PSS 240/020-930/32	930									

Sezioni, lunghezze e foratura terminali speciali su richiesta / *Special cross sections, lengths and terminal drillings upon request*  
Le portate dei conduttori sono indicative (vedi pag. 28) / *Conductors current loads are approximated (please see page 28)*

# CONNESSIONI DI POTENZA ISOLATE - POWERFLEX S

## INSULATED POWER CONDUCTORS - POWERFLEX S

- Terminali in lamiera stagnata / *Tin-plated strip terminals*: Cu-ETP UNI EN 1652
- Filo elementare / *Single wire*: Cu-ETP UNI EN 13602 -  $\varnothing$  0,20 mm
- Isolamento in PVC nero / *Black PVC insulation*
- Autoestinguenza / *Self extinguishing*: UL 94 V0
- Tensione di esercizio / *Operating voltage*: 1000 V AC - 1500 V DC
- Temperatura di esercizio / *Operating temperature*: -40/+105 °C
- Rigidità dielettrica / *Dielectric strenght*: 20 kV/mm
- Spessore isolamento / *Insulation thickness*: 2 mm
- Portate riferite a rialzo termico  $\Delta T$  secondo IEC 439 -  $T_a$  (Temp. Amb.) 35 °C  
*Current loads referred to rise temperature  $\Delta T$  following IEC 439 norm -  $T_a$  (Amb. Temp.) 35 °C*



Rame Rosso <i>Bare Copper</i>	Rame Stagnato <i>Tin-Plated Copper</i>	Sezione <i>Cross-Sect.</i> [mm <sup>2</sup> ]	L [mm]	A [mm]	B [mm]	C [mm]	S [mm]	D [mm]	Portata <i>Current load</i>		
									$\Delta T$ 30 °C	$\Delta T$ 40 °C	$\Delta T$ 50 °C
PR/S 16/17-230/9	PS 16/17-230/9	16	230	23	17	10	2,5	7	102 A	119 A	136 A
PR/S 16/17-330/9	PS 16/17-330/9		330								
PR/S 16/17-430/9	PS 16/17-430/9		430								
PR/S 16/17-530/9	PS 16/17-530/9		530								
PR/S 16/17-630/9	PS 16/17-630/9		630								
PR/S 25/23-200/9	PS 25/23-200/9	25	230	23	23	10	3,2	9-11	136 A	161 A	187 A
PR/S 25/23-330/9	PS 25/23-330/9		330								
PR/S 25/23-430/9	PS 25/23-430/9		430								
PR/S 25/23-530/9	PS 25/23-530/9		530								
PR/S 25/23-630/9	PS 25/23-630/9		630								
PR/S 35/23-230/9	PS 35/23-230/9	35	230	23	23	10	3,4	9-11	161 A	195 A	221 A
PR/S 35/23-330/9	PS 35/23-330/9		330								
PR/S 35/23-430/9	PS 35/23-430/9		430								
PR/S 35/23-530/9	PS 35/23-530/9		530								
PR/S 35/23-630/9	PS 35/23-630/9		630								
PR/S 50/23-230/11	PS 50/23-230/11	50	230	23	23	10	4,5	11	195 A	229 A	263 A
PR/S 50/23-330/11	PS 50/23-330/11		330								
PR/S 50/23-430/11	PS 50/23-430/11		430								
PR/S 50/23-530/11	PS 50/23-530/11		530								
PR/S 50/23-630/11	PS 50/23-630/11		630								
PR/S 75/23-230/11	PS 75/23-230/11	75	230	23	23	10	6	11	238 A	289 A	331 A
PR/S 75/23-330/11	PS 75/23-330/11		330								
PR/S 75/23-430/11	PS 75/23-430/11		430								
PR/S 75/23-530/11	PS 75/23-530/11		530								
PR/S 75/23-630/11	PS 75/23-630/11		630								
PR/S 100/30-230-13	PS 100/30-230-13	100	230	30	30	15	7	13	306 A	365 A	416 A
PR/S 100/30-330-13	PS 100/30-330-13		330								
PR/S 100/30-430-13	PS 100/30-430-13		430								
PR/S 100/30-530-13	PS 100/30-530-13		530								
PR/S 100/30-630-13	PS 100/30-630-13		630								
PR/S 150/30-230-13	PS 150/30-230-13	150	230	30	30	15	9,5	13	382 A	459 A	527 A
PR/S 150/30-330-13	PS 150/30-330-13		330								
PR/S 150/30-430-13	PS 150/30-430-13		430								
PR/S 150/30-530-13	PS 150/30-530-13		530								
PR/S 150/30-630-13	PS 150/30-630-13		630								

Sezioni, lunghezze e foratura terminali speciali su richiesta / *Special cross sections, lengths and terminal drillings upon request*  
Le portate dei conduttori sono indicative (vedi pag. 28) / *Conductors current loads are approximated (please see page 28)*